

# ILLUSTRATED PARTS BREAKDOWN

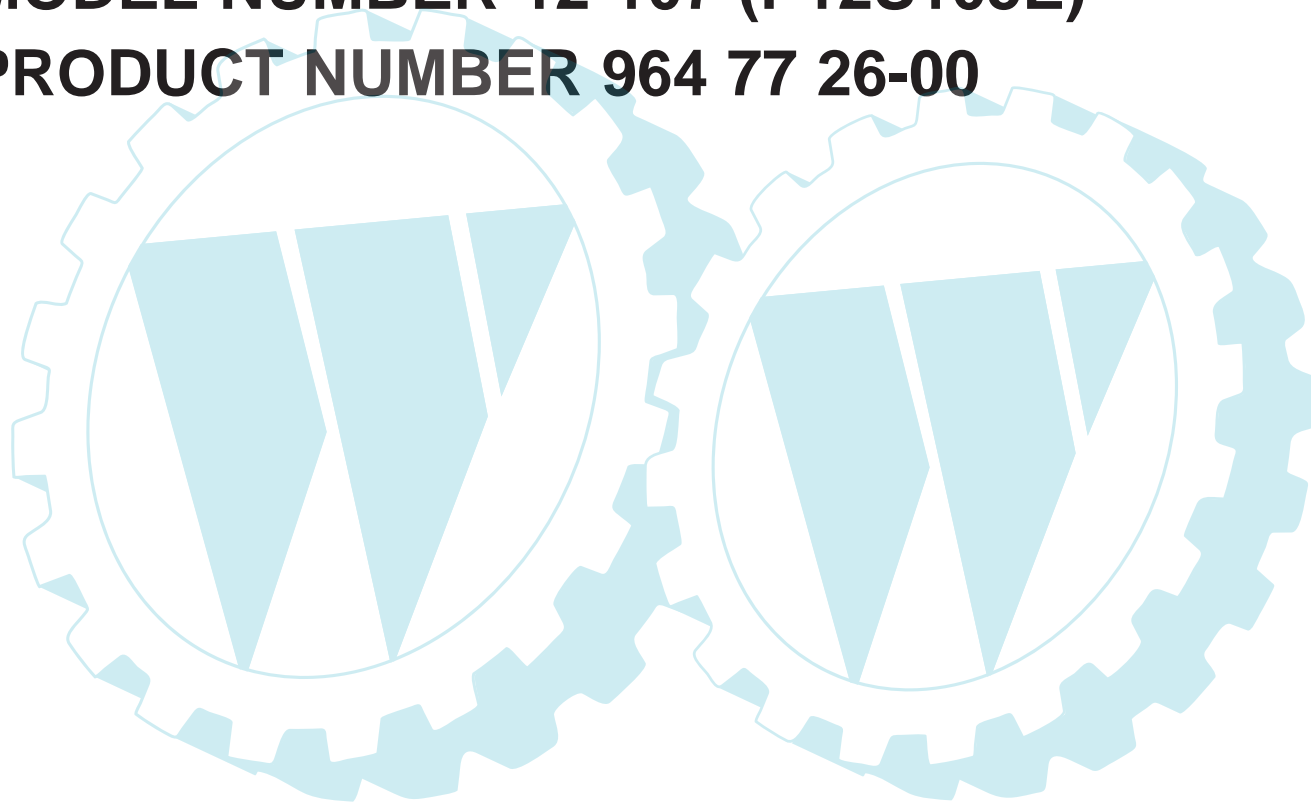
**PARTNER**

**12.0 HP, 42" MOWER DECK**

**LAWN TRACTOR**

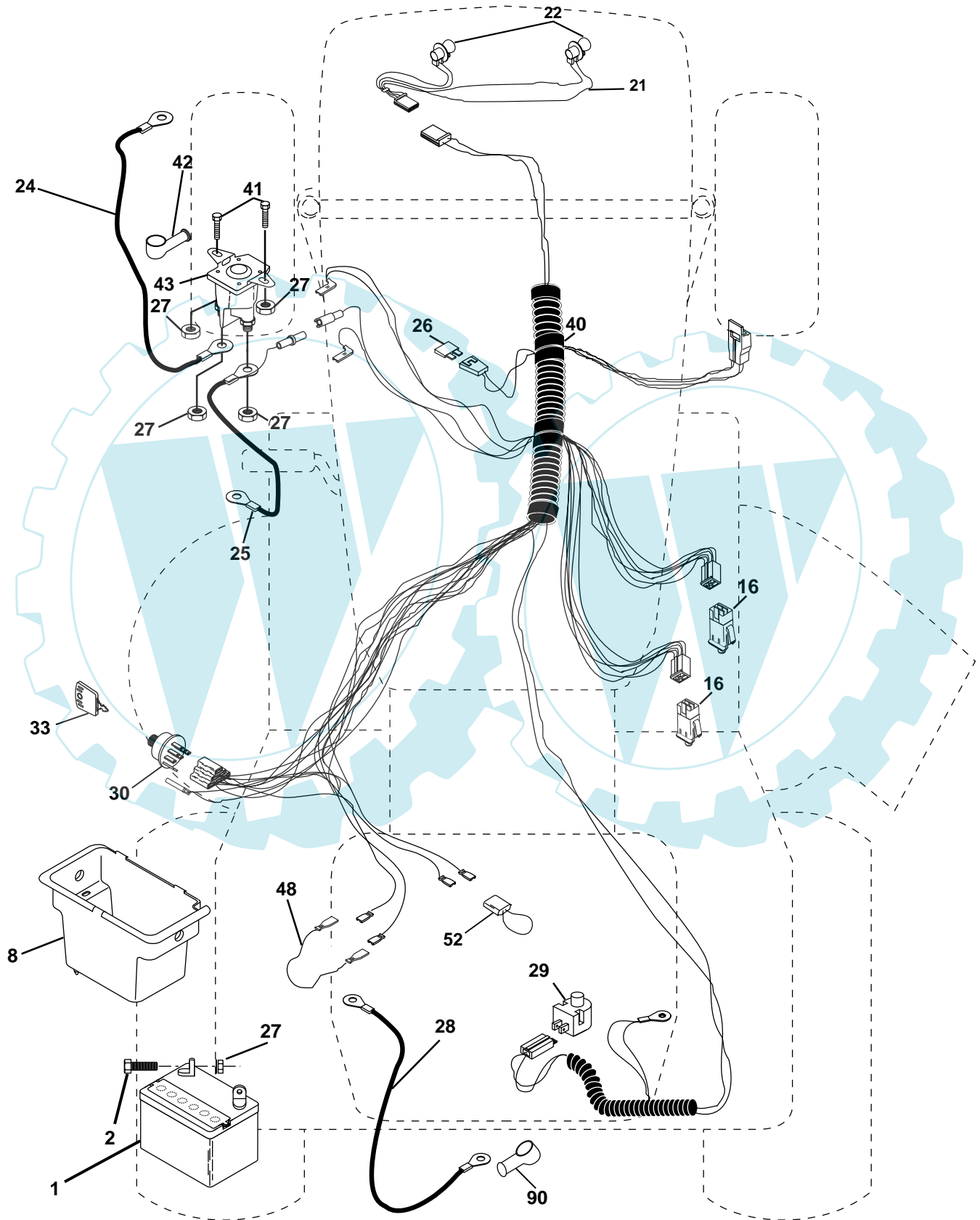
**MODEL NUMBER 12-107 (P12S105E)**

**PRODUCT NUMBER 964 77 26-00**



# REPAIR PARTS

TRACTOR - - MODEL NUMBER 12-107 (P12S105E), PRODUCT NO. 964 77 26-00  
ELECTRICAL



## REPAIR PARTS

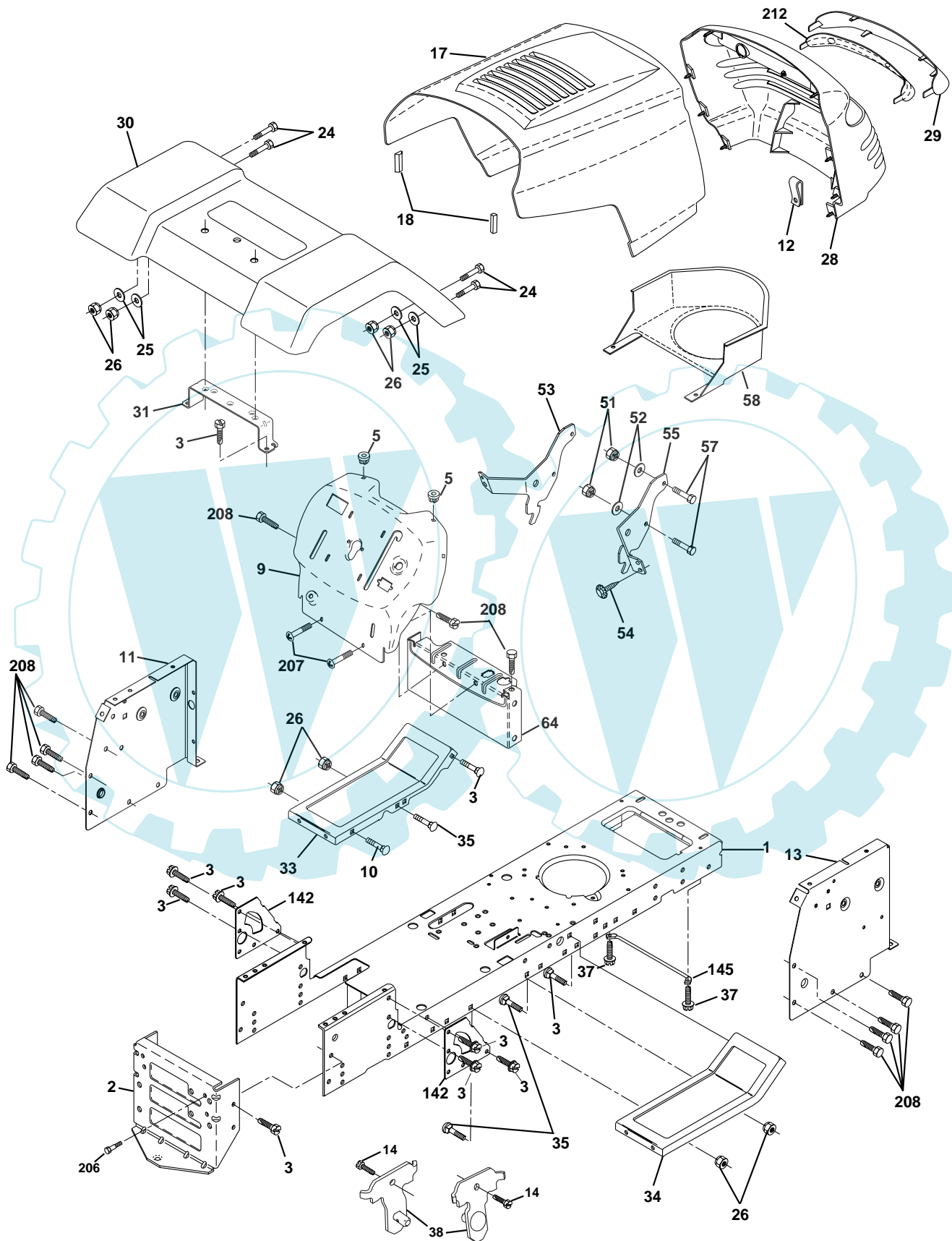
TRACTOR - - MODEL NUMBER 12-107 (P12S105E), PRODUCT NO. 964 77 26-00  
ELECTRICAL

KEY NO.	PART NO.	DESCRIPTION
1	532 16 34-65	Battery 12 Volt 25 Amp
2	874 76 04-12	Bolt Hex Hd 1/4-20unc X 3/4
8	532 17 66-89	Case Battery Mech Hiinge
16	532 17 61-38	Switch Interlock Push-In
21	<b>532 17 56-85</b>	Harness Asm Light W/4152j
22	532 00 41-52	Bulb Light #1156
24	532 12 47-80	Cable Battery 6 Ga 11"red
25	532 14 61-47	Cable Battery
26	532 17 51-58	Fuse
27	873 51 04-00	Nut Keps Hex 1/4-20 Unc
28	532 12 47-73	Cable Ground 6 Ga 12"black
29	532 12 13-05	Switch Plunger Nc Gray
30	532 17 55-66	Switch Ign
33	532 14 04-01	Key Ign
40	532 17 97-20	Harness Ign
41	871 11 04-08	Bolt Blk Fin Hex 1/4-20
42	532 13 15-63	Cover Terminal Red
43	532 17 88-61	Solenoid
48	532 14 08-44	Adapter Ammeter
52	532 14 19-40	Protection Wire Loop
90	532 18 04-49	Cover Terminal Battery

**NOTE:** All component dimensions given in U. S. inches 1 inch = 25.4 mm.

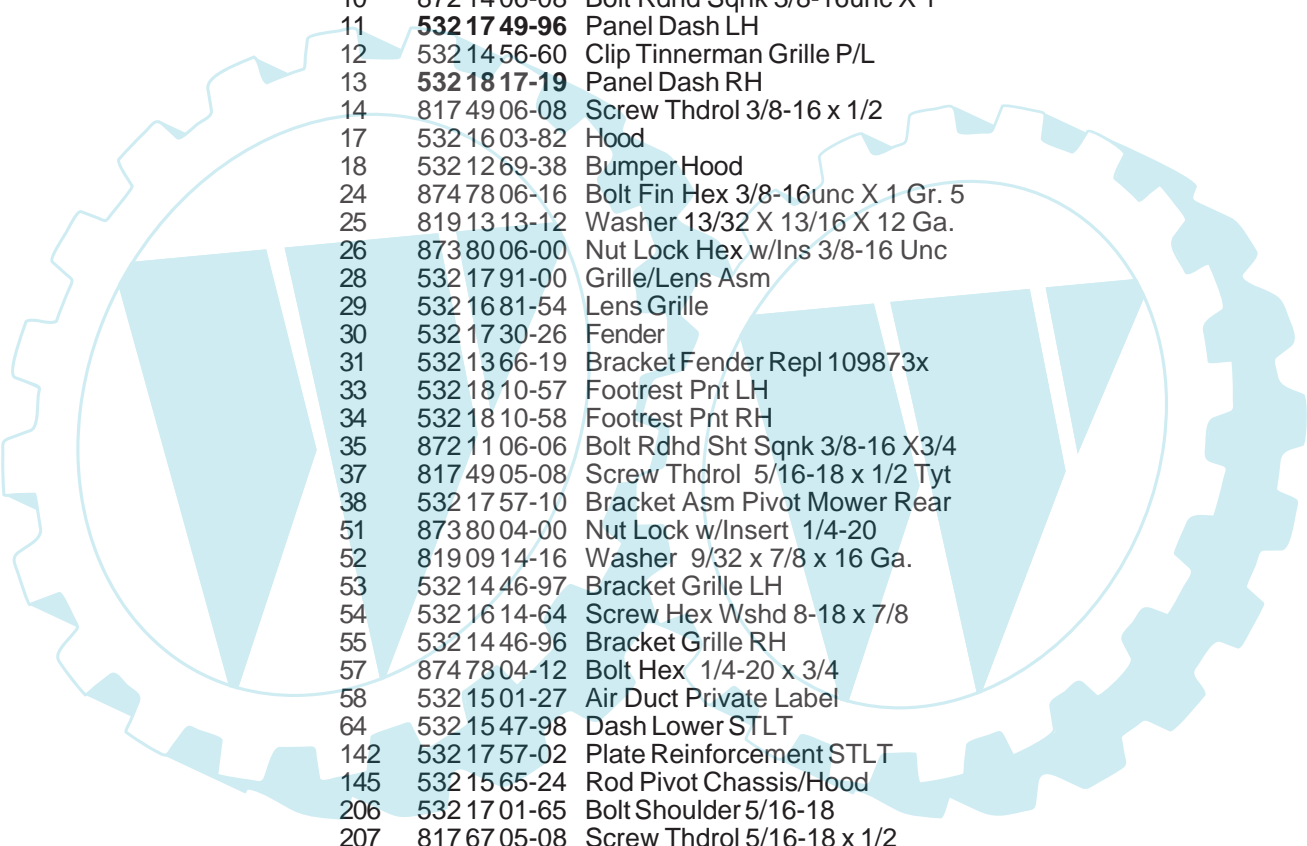
# REPAIR PARTS

TRACTOR - - MODEL NUMBER 12-107 (P12S105E), PRODUCT NO. 964 77 26-00  
CHASSIS



## REPAIR PARTS

TRACTOR - - MODEL NUMBER 12-107 (P12S105E), PRODUCT NO. 964 77 26-00  
CHASSIS

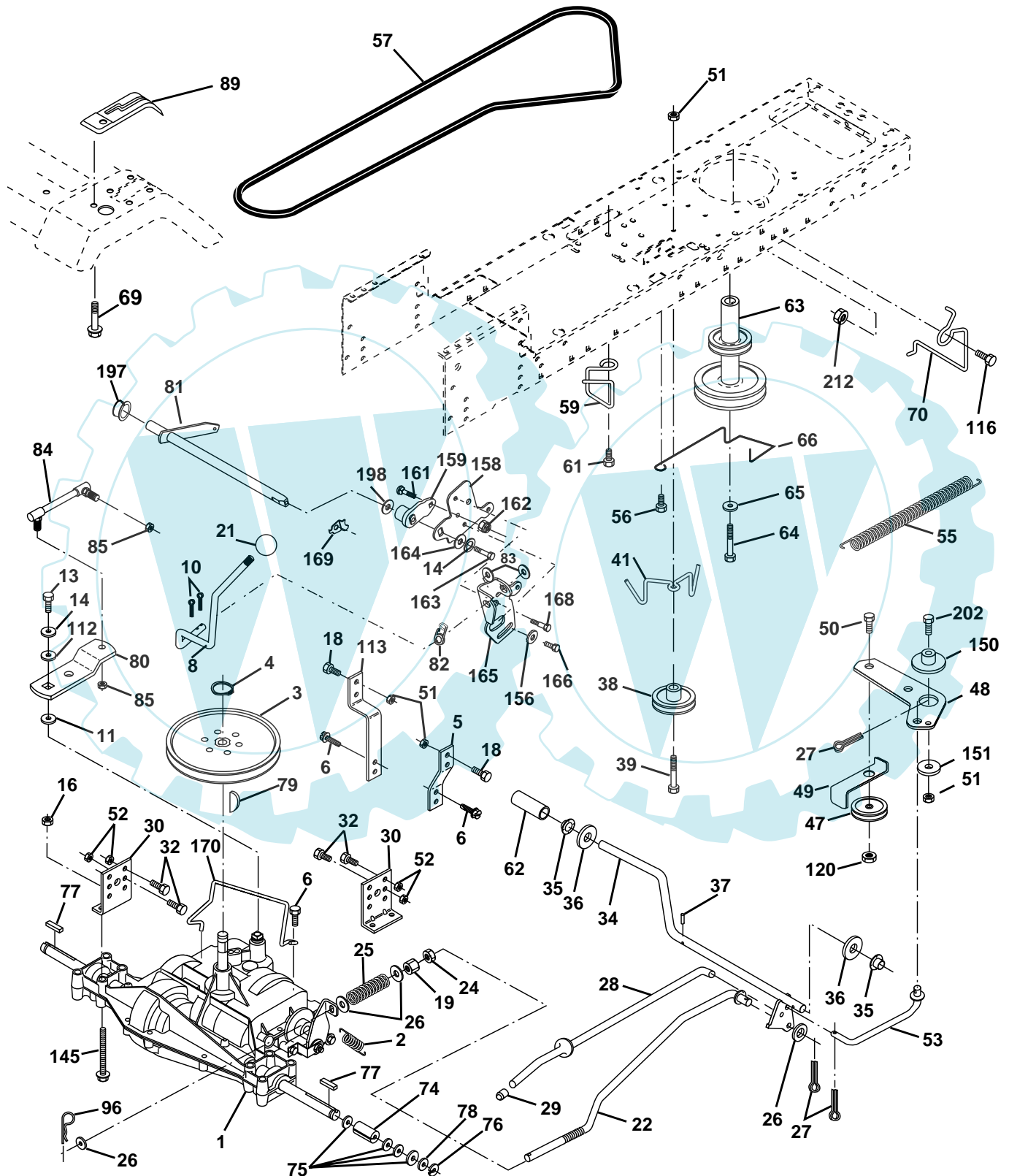


KEY NO.	PART NO.	DESCRIPTION
1	532 17 46-19	Chassis
2	532 17 65-54	Drawbar
3	817 06 06-12	Screw 3/8-16 x .75
5	532 15 52-72	Bumper Hood Dash
9	532 17 21-51	Dash
10	872 14 06-08	Bolt Rdhd Sqnk 3/8-16unc X 1
11	<b>532 17 49-96</b>	Panel Dash LH
12	532 14 56-60	Clip Tinnerman Grille P/L
13	<b>532 18 17-19</b>	Panel Dash RH
14	817 49 06-08	Screw Thdrol 3/8-16 x 1/2
17	532 16 03-82	Hood
18	532 12 69-38	Bumper Hood
24	874 78 06-16	Bolt Fin Hex 3/8-16unc X 1 Gr. 5
25	819 13 13-12	Washer 13/32 X 13/16 X 12 Ga.
26	873 80 06-00	Nut Lock Hex w/Ins 3/8-16 Unc
28	532 17 91-00	Grille/Lens Asm
29	532 16 81-54	Lens Grille
30	532 17 30-26	Fender
31	532 13 66-19	Bracket Fender Repl 109873x
33	532 18 10-57	Footrest Pnt LH
34	532 18 10-58	Footrest Pnt RH
35	872 11 06-06	Bolt Rdhd Sht Sqnk 3/8-16 X3/4
37	817 49 05-08	Screw Thdrol 5/16-18 x 1/2 Tyt
38	532 17 57-10	Bracket Asm Pivot Mower Rear
51	873 80 04-00	Nut Lock w/Insert 1/4-20
52	819 09 14-16	Washer 9/32 x 7/8 x 16 Ga.
53	532 14 46-97	Bracket Grille LH
54	532 16 14-64	Screw Hex Wshd 8-18 x 7/8
55	532 14 46-96	Bracket Grille RH
57	874 78 04-12	Bolt Hex 1/4-20 x 3/4
58	532 15 01-27	Air Duct Private Label
64	532 15 47-98	Dash Lower STLT
142	532 17 57-02	Plate Reinforcement STLT
145	532 15 65-24	Rod Pivot Chassis/Hood
206	532 17 01-65	Bolt Shoulder 5/16-18
207	817 67 05-08	Screw Thdrol 5/16-18 x 1/2
208	817 67 06-08	Screw Thdrol 3/8-16 x 1/2
212	532 15 62-29	Insert Lens Reflective

**NOTE:** All component dimensions given in U.S. inches  
1 inch = 25.4 mm.

# REPAIR PARTS

TRACTOR - - MODEL NUMBER 12-107 (P12S105E), PRODUCT NO. 964 77 26-00  
DRIVE



# REPAIR PARTS

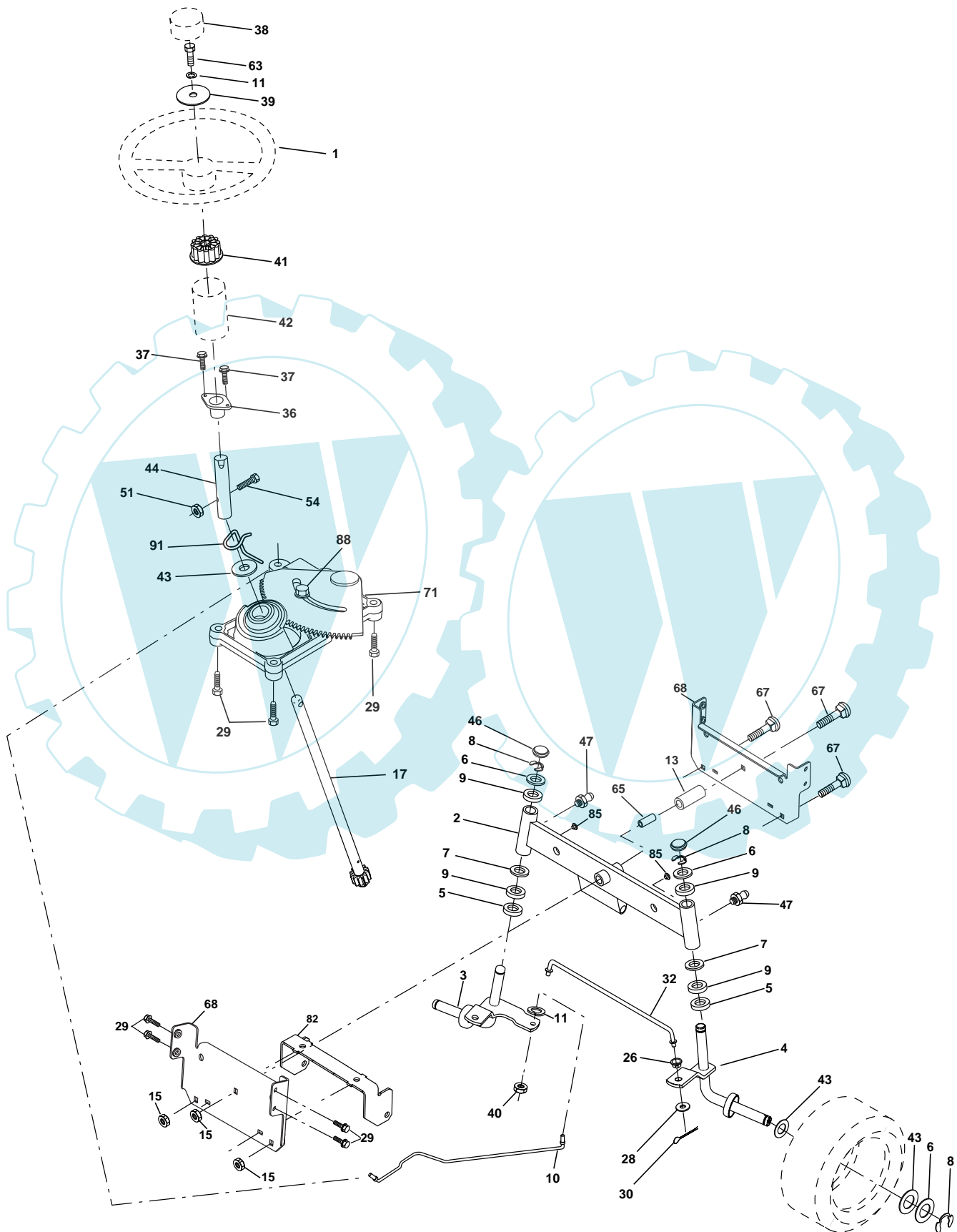
**TRACTOR - - MODEL NUMBER 12-107 (P12S105E), PRODUCT NO. 964 77 26-00  
DRIVE**

KEY NO.	PART NO.	DESCRIPTION	KEY NO.	PART NO.	DESCRIPTION
1	-----	Transaxle, Peerless 205-544C (Order parts from transaxle manufacturer)	63	<b>532 18 02-19</b>	Engine Pulley
2	532 14 66-82	Spring Return Brake T/a Zinc	64	871 17 07-64	Bolt Hex
3	532 12 36-66	Pulley Transaxle 18" tires	65	810 04 07-00	Washer Lock Hvy Hlcl Spr 7/16
4	812 00 00-28	Ring Retainer # 5100-62	66	532 15 47-78	Keeper Belt Engine Foolproof
5	532 12 15-20	Strap Torque 30 Degrees	69	532 14 24-32	Screw Hex Wsh Hi-Lo 1/4-1/2 Unc
6	817 06 05-12	Screw 5/16-18 x 3/4	70	<b>532 18 02-18</b>	Guide Belt Mower Drive RH
8	532 16 56-19	Rod Shifter Fender Adj Lt	74	532 13 70-57	Spacer Axle
10	876 02 04-16	Pin Cotter 1/8 x 1 Cad	75	532 12 17-49	Washer 25/32 X 1 1/4 X 16 Ga
11	532 10 57-01	Washer Plate Shf 388 Sq Hole	76	812 00 00-01	E-ring #5133-75
13	874 55 04-12	Bolt 1/4-28 Unf Gr 8 W/Patch	77	532 12 35-83	Key Square 2 0 X 1845/ 1865
14	810 04 04-00	Washer Lock Hvy Helical 1/4	78	532 12 17-48	Washer 25/32 X 1-5/8 X 16 Ga
16	873 80 05-00	Nut Lock	79	532 12 50-96	Key Woodruff
18	874 78 06-16	Bolt, Fin Hex 3/8-16 UNC x 1 Gr. 5	80	532 13 14-86	Arm Shift
19	873 80 06-00	Nut Lock 3/8-16 Unc	81	532 16 55-94	Shaft Asm Cross Tapered 20"t
21	532 10 69-33	Knob	82	532 12 37-82	Spring Torsion T/a
22	532 13 08-04	Rod Brake Blk Zinc 26 840	83	819 17 12-16	Washer 17/32 X 3/4 X 16 Ga
24	873 35 06-00	Nut Hex Jam 3/8-16 Unc	84	532 16 62-28	Link Transaxle
25	532 10 68-88	Spring Rod Brake 2 00 Zinc	85	532 15 03-60	Nut Lock Center 1/4 - 28 FNTHD
26	819 13 13-16	Washer 13/32 X 13/16 X 16 Ga	89	532 17 37-74	Console Shift STLT
27	876 02 04-12	Pin Cotter 1/8 X 3/4 Cad	96	532 12 47-88	Retainer Spring
28	532 17 57-65	Rod Brake Parking	112	819 09 12-10	Washer 9/32 x 3/4 x 10 Ga.
29	532 07 16-73	Cap Brake Parking	113	532 12 72-85	Strap Torque Lh
30	532 17 49-73	Bracket Mtg Transaxle	116	872 14 06-08	Bolt Rdhd Sq Neck 3/8-16 x 1.00
32	874 76 05-12	Bolt Hex Hd 5/16-18unc X 3/4	120	873 90 06-00	Nut Lock Flg 3/8-16
34	532 17 55-78	Shaft Asm Pedal Foot	145	874 49 05-40	Bolt Hex 5/16-18 Gr. 5
35	532 12 01-83	Bearing Nylon Blk 629 Id	150	532 17 54-56	Spacer Retainer
36	819 21 16-16	Washer 21/32 X 1 X 16 Ga	151	819 13 32-10	Washer 13/32 x 2 x 10
37	532 12 49-63	Pin Roll 3/16 X 1"	156	532 16 60-02	Washer Srrted 5/16 ID x 1.125
38	532 17 91-14	Pulley Idler Composite	158	532 16 55-89	Bracket Shift Mount
39	874 76 06-48	Bolt Fin Hex 3/8-16unc X 3	159	532 16 54-94	Hub Tapered Flange Shift It
41	532 17 55-56	Keeper Belt Retainer Idler	161	872 14 04-06	Bolt Rdhd Sqnk 1/4-20 x 3/4 Gr 5
47	532 12 77-83	Pulley Idler V Groove Plastic	162	873 68 04-00	Nut Crownlock 1/4-20 Unc
48	532 15 44-07	Bellcrank Asm	163	874 78 04-16	Bolt Hex Fin 1/4-20 Unc x 1 Gr 5
49	532 12 32-05	Retainer Belt Style Spring	164	819 09 10-10	Washer 5/8 x .281 x 10 Ga
50	874 76 06-24	Bolt Hex Hd 3/8-16unc X 1-1/2	165	532 16 56-23	Bracket Pivot Lever
51	873 68 06-00	Nut Crownlock 3/8-16 Unc	166	532 16 68-80	Screw 5/16-18 x 5/8
52	873 68 05-00	Nut Crownlock 5/16-18 Unc	168	532 16 54-92	Bolt Shoulder 5/16-18 x .561
53	532 10 57-10	Link Clutch	169	532 16 55-80	Plate Fastening Lt
55	532 10 57-09	Spring Return Clutch 6 75	170	532 17 83-94	Keeper Belt T/A
56	817 06 06-20	Screw 3/8-16 X 1-1/4	197	532 16 96-13	Nyliner, Snap - in
57	532 13 08-01	V-Belt Ground Drive	198	532 16 95-93	Washer, Nyl.
59	532 16 96-91	Keeper Belt Span Ctr	202	872 11 06-14	Bolt, Carriage 3/8 - 16 x 1-3/4
61	817 12 06-14	Screw 3/8-16 x .875	212	532 14 52-12	Nut Flange Hex Lock
62	532 12 48-72	Cover Pedal Blk Round			

**NOTE:** All component dimensions given in U.S. inches  
1 inch = 25.4 mm

# REPAIR PARTS

TRACTOR - - MODEL NUMBER 12-107 (P12S105E), PRODUCT NO. 964 77 26-00  
STEERING





## REPAIR PARTS

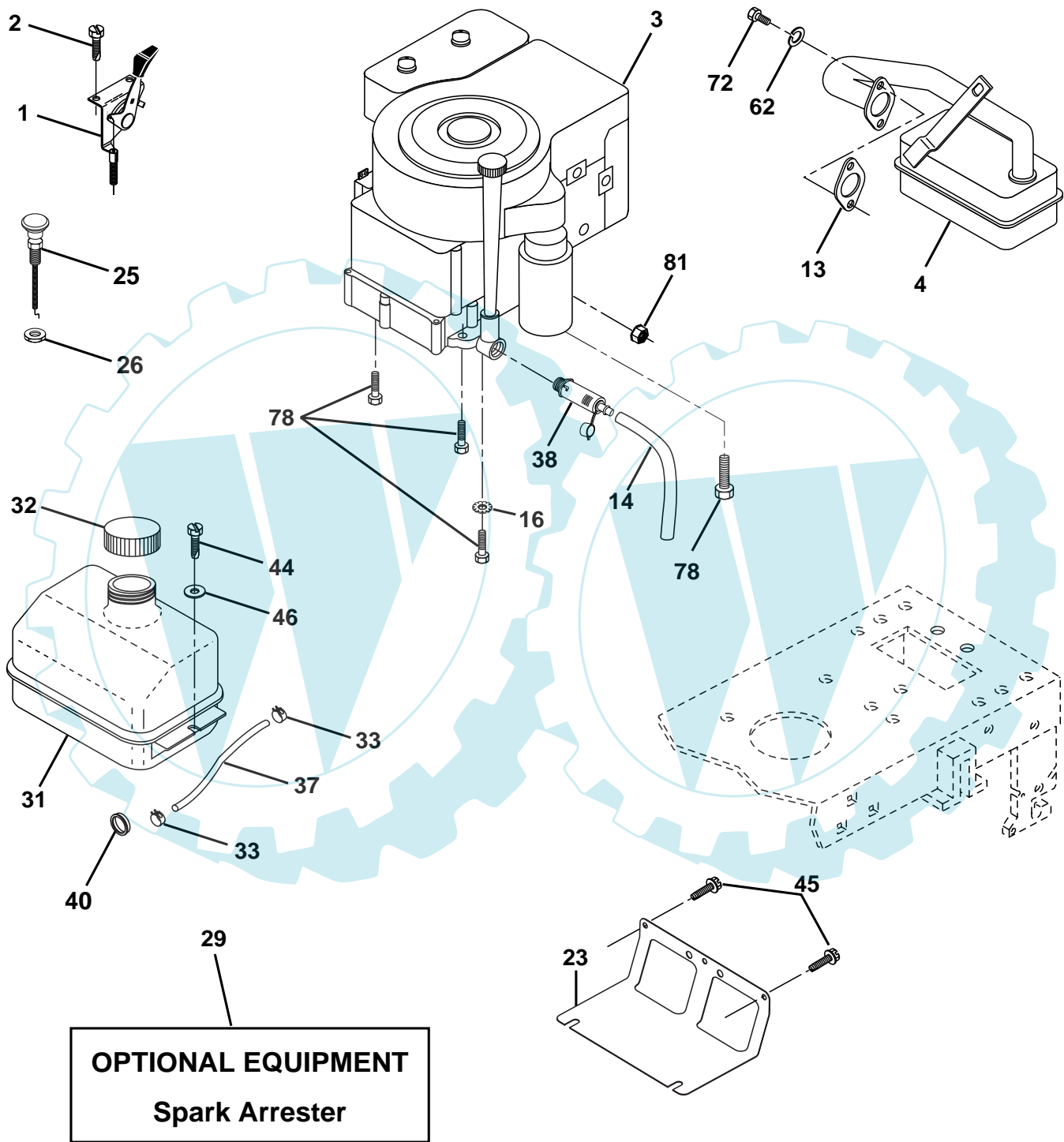
TRACTOR - - MODEL NUMBER 12-107 (P12S105E), PRODUCT NO. 964 77 26-00  
STEERING

KEY NO.	PART NO.	DESCRIPTION
1	532 1397-68	Wheel Steering Opp. Sears Blk
2	532 1751-31	Axle Asm Fr
3	532 1698-40	Spindle Asm LH
4	532 1698-39	Spindle Asm RH
5	532 1249-31	Bearing Race Thrust Harden
6	532 1217-48	Washer 25/32 x 1-5/8 x 16 Ga
7	8192720-16	Washer 27/32 x 1-1/4 x 16 Ga
8	8120000-29	Ring Klip #t5304-75
9	532 1249-37	Bearing Col Strg Blk
10	532 1751-21	Link Drag
11	8100406-00	Washer Lock Hvy Hlcl Spr 3/8
13	532 1365-18	Spacer Brace Axle
15	532 1452-12	Nut Hexflange Lock
17	532 1778-76	Shaft Asm Strg
26	532 1268-47	Bushing Link Drag Blk LR
28	8191314-16	Washer 13/32 x 7/8 x 16 Ga
29	8170606-12	Screw 3/8-16 x .75
30	8760204-12	Pin Cotter 1/8 x 3/4 Cad
32	532 1304-65	Rod Tie Wire Form 19 75 Mech
36	532 1550-99	Bushing Strg Nat .623/.618ld
37	532 1529-27	Screw TT #10-32 x 5 x 3/8 Flange
38	532 1401-75	Cap Wheel Steer P/L
39	8191338-12	Washer 13/32 x 2-3/8 x 12 Ga
40	532 1247-01	Nut Lock Center 3/8-24unf
41	532 1007-11	Adaptor Wheel Strg
42	532 1696-33	Boot Shaft Steering
43	532 1217-49	Washer 25/32 X 1 1/4 X 16 Ga
44	532 1537-20	Extension Steering
46	532 1212-32	Cap Spindle Fr Top Blk
47	532 1248-36	Fitting Grease
51	8738005-00	Nut Lock Hx w/Ins 5/16-18 Unc
54	8747805-20	Bolt Fin Hex 5/16-18 Unc x 1-1/4
63	8747806-16	Bolt Fin Hex 3/8-16 UNC Gr. 5
65	532 1603-67	Spacer Brace Axle
67	8721406-18	Bolt RDHD SQ 3/8-16 UNC x 2-1/4
68	532 1698-27	Brace Axle
71	532 1751-46	Steering Asm.
82	532 1698-35	Bracket Susp. Chassis Front
85	532 1338-35	Fastener Christmas Tree
88	532 1751-18	Bolt Shoulder 7/16-20
91	532 1755-53	Clip Steering

**NOTE:** All component dimensions given in U.S. inches  
1 inch = 25.4 mm.

# REPAIR PARTS

TRACTOR - - MODEL NUMBER 12-107 (P12S105E), PRODUCT NO. 964 77 26-00  
ENGINE



## REPAIR PARTS

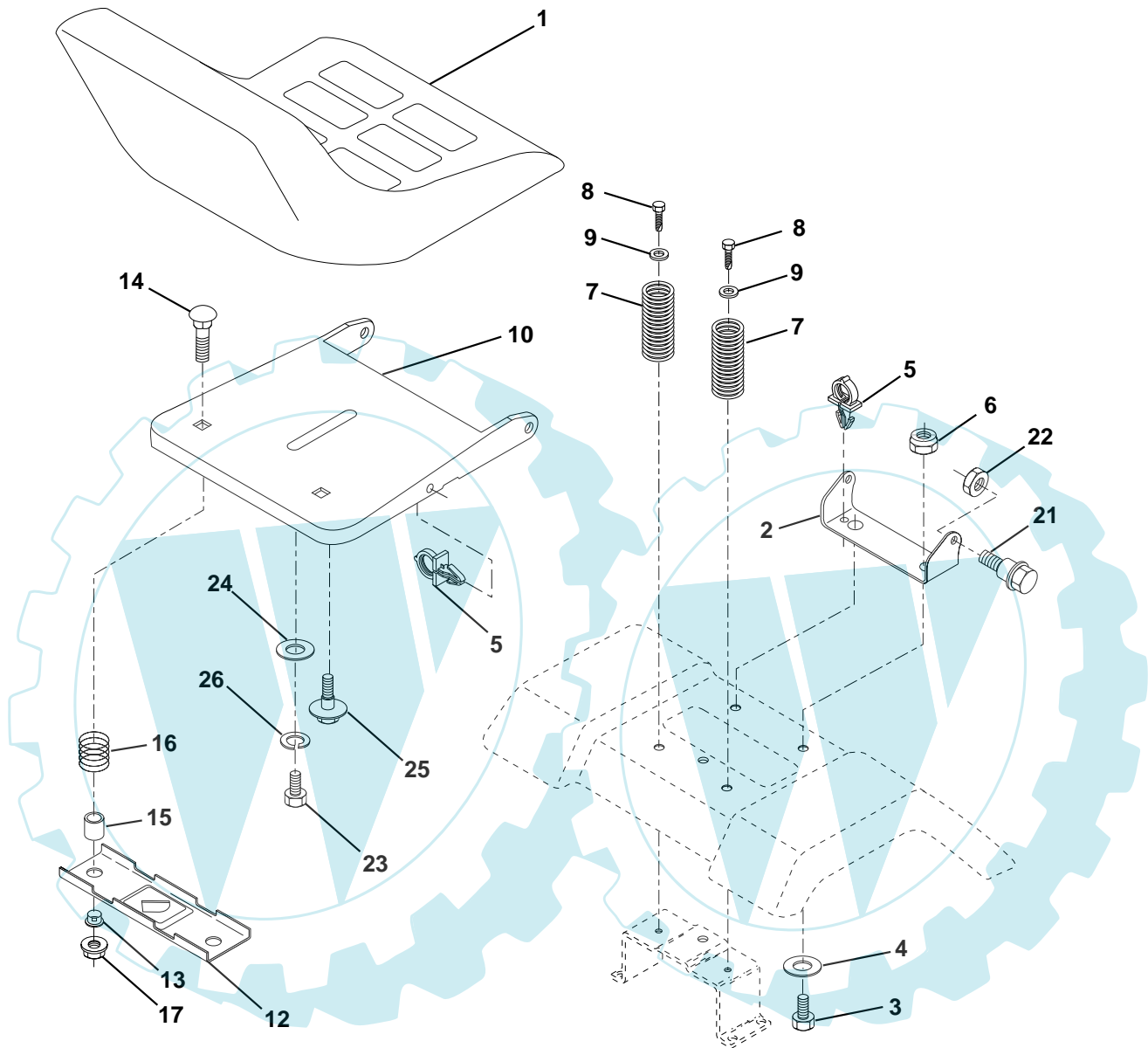
TRACTOR - - MODEL NUMBER 12-107 (P12S105E), PRODUCT NO. 964 77 26-00  
ENGINE

KEY NO.	PART NO.	DESCRIPTION
1	<b>532 17 05-51</b>	Control Th/ch Flag Eec
2	817 72 04-08	Screw Hex Thd Cut 1/4-20 x 1/2
3	-----	Engine Briggs & Stratton 289707 (Order parts from engine manufacturer)
4	532 13 73-48	Muffler LT B&S 12/12 5 HP
13	532 16 52-91	Gasket Eng
14	532 14 84-56	Tube Drain Oil Easy
16	811 05 06-00	Washer Lock Ext Tooth 3/8
23	532 16 98-37	Shield Brn/Dbr Guard
25	<b>532 18 09-45</b>	Control Choke
26	<b>873 92 06-00</b>	Nut Keps 3/8-24 UNF
29	532 13 71-80	Kit Spark Arrecter
31	532 10 92-02	Tank Fuel Front 1.25
32	532 14 05-27	Cap Asm Fuel W/sym Vented
33	532 12 34-87	Clamp Hose Blk
37	532 13 70-40	Line Fuel 20"
38	532 14 83-15	Plug Drain Oil Easy
40	532 12 40-28	Bushing Snap Nyl Blk Fuel Line
44	817 67 04-12	Screw Hexwsh Thdrol 1/4-20 x 3/4
45	817 00 06-12	Screw Hexwsh Thdrol 3/8-16 x 3/4
46	819 09 14-16	Washer 9/32 x 7/8 x 16 Ga.
62	810 04 05-00	Washer Lock Hvy Hlcl Spr 5/16
72	871 07 05-12	Screw Hexhd Cap 5/16-18x3/4
78	817 06 06-20	Screw 3/8-16 x 1-1/4
81	873 51 04-00	Nut Keps Hex 1/4-20 UNC

**NOTE:** All component dimensions given in U.S. inches  
1 inch = 25.4 mm

# REPAIR PARTS

TRACTOR - - MODEL NUMBER 12-107 (P12S105E), PRODUCT NO. 964 77 26-00  
SEAT



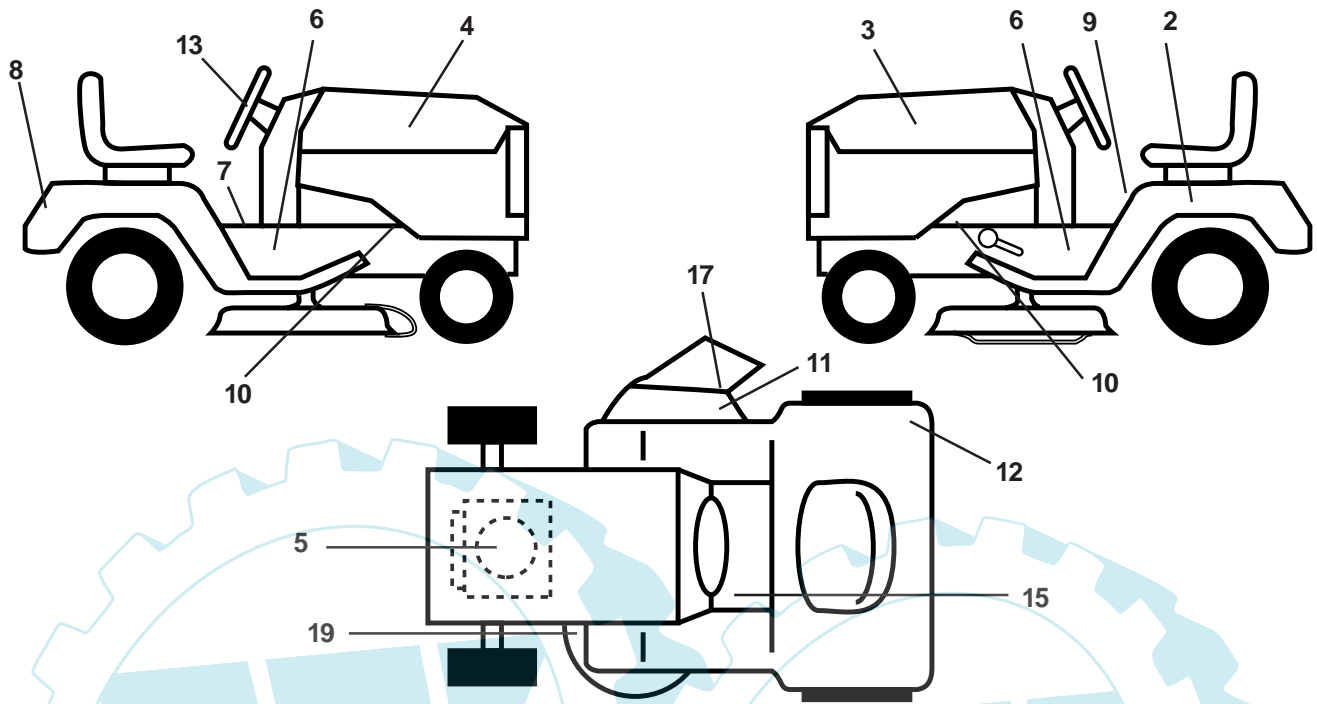
KEY NO.	PART NO.	DESCRIPTION
1	532 14 01-16	Seat
2	532 14 05-51	Bracket Pivot Seat 8 720
3	871 11 06-16	Bolt Fin Hex 3/8-16unc X 1
4	819 13 16-10	Washer 13/32 X 1 X 10 Ga
5	532 14 50-06	Clip Push-In
6	873 80 06-00	Nut Lock Hex w/Wsh 3/8-16 Unc
7	532 12 41-81	Spring Seat Cprsn 2 250 Blk Zi
8	817 00 06-16	Screw 3/8-16 X 1.5
9	819 13 16-14	Washer 13/32 X 1 X 14 Ga.
10	<b>532 18 24-93</b>	Pan Seat
12	532 12 12-46	Bracket Mounting Switch
13	532 12 12-48	Bushing Snap Blk Nyl 50 Id

KEY NO.	PART NO.	DESCRIPTION
14	872 05 04-12	Bolt Rdhd Sht Nk 1/4-20x1-1/2
15	532 13 43-00	Spacer Split 28x 96 Yel Zinc
16	532 12 12-50	Spring Cprsn 1 27 Blk Pnt
17	532 12 39-76	Nut Lock 1/4 Lge Flg Gr 5 Zinc
21	532 17 18-52	Bolt Shoulder 5/16-18 Unc -2A
22	873 80 05-00	Nut Lock Hex W/Insert 5/16-18 UNC
23	871 11 08-14	Bolt Hex Black
24	819 17 19-12	Washer 17/32 X 1-3/16 X 12 Ga.
25	532 12 70-18	Bolt Shoulder 5/16-18 X 62
26	810 04 08-00	Washer Lock Hvy HLCLSPR 1/2

**NOTE:** All component dimensions given in U.S. inches.  
1 inch = 25.4 mm

# REPAIR PARTS

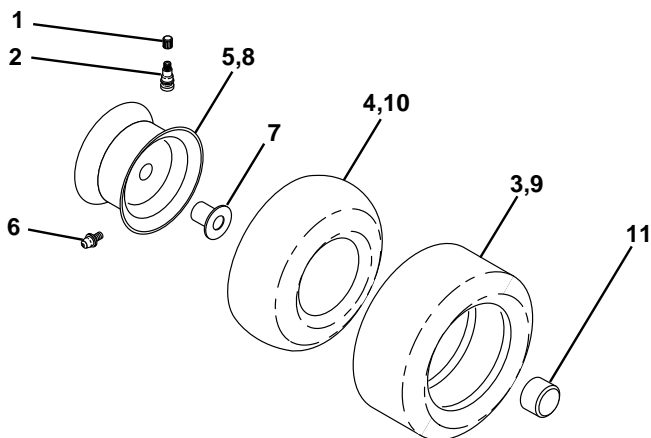
TRACTOR - - MODEL NUMBER 12-107 (P12S105E), PRODUCT NO. 964 77 26-00  
DECALS



KEY NO.	PART NO.	DESCRIPTION
2	532 14 50-05	Decal Bat Dan/Poi P/L Symbols
3	532 17 59-59	Decal Hood LH
4	532 17 59-58	Decal Hood RH
5	532 17 08-32	Decal Engine
6	532 13 75-88	Decal Chas. Turbo Collection
7	532 14 08-37	Decal Saddle Brake Parking
8	532 14 09-87	Decal Fender Bernard
9	532 14 54-98	Decal Read Owners Manual Syms
10	532 15 97-36	Decal Chassis Hot Muffler
11	<b>532 18 21-66</b>	Decal Mower Cut finger Symbol

KEY NO.	PART NO.	DESCRIPTION
12	<b>532 18 04-32</b>	Decal 100 Dba
13	532 14 69-98	Decal Strg Wheel Cap
15	532 15 97-37	Decal Brake/Clutch
17	532 17 91-28	Decal Deck "B"
19	532 16 03-96	Decal V-Belt Sch
--	532 16 25-98	Decal Drawbar Load Limit
--	532 13 83-11	Decal Lift Handle (Lift Handle)
--	<b>532 18 20-74</b>	Manual Operator's Euro
--	<b>532 18 20-75</b>	Manual Operator's Scan

## WHEELS & TIRES

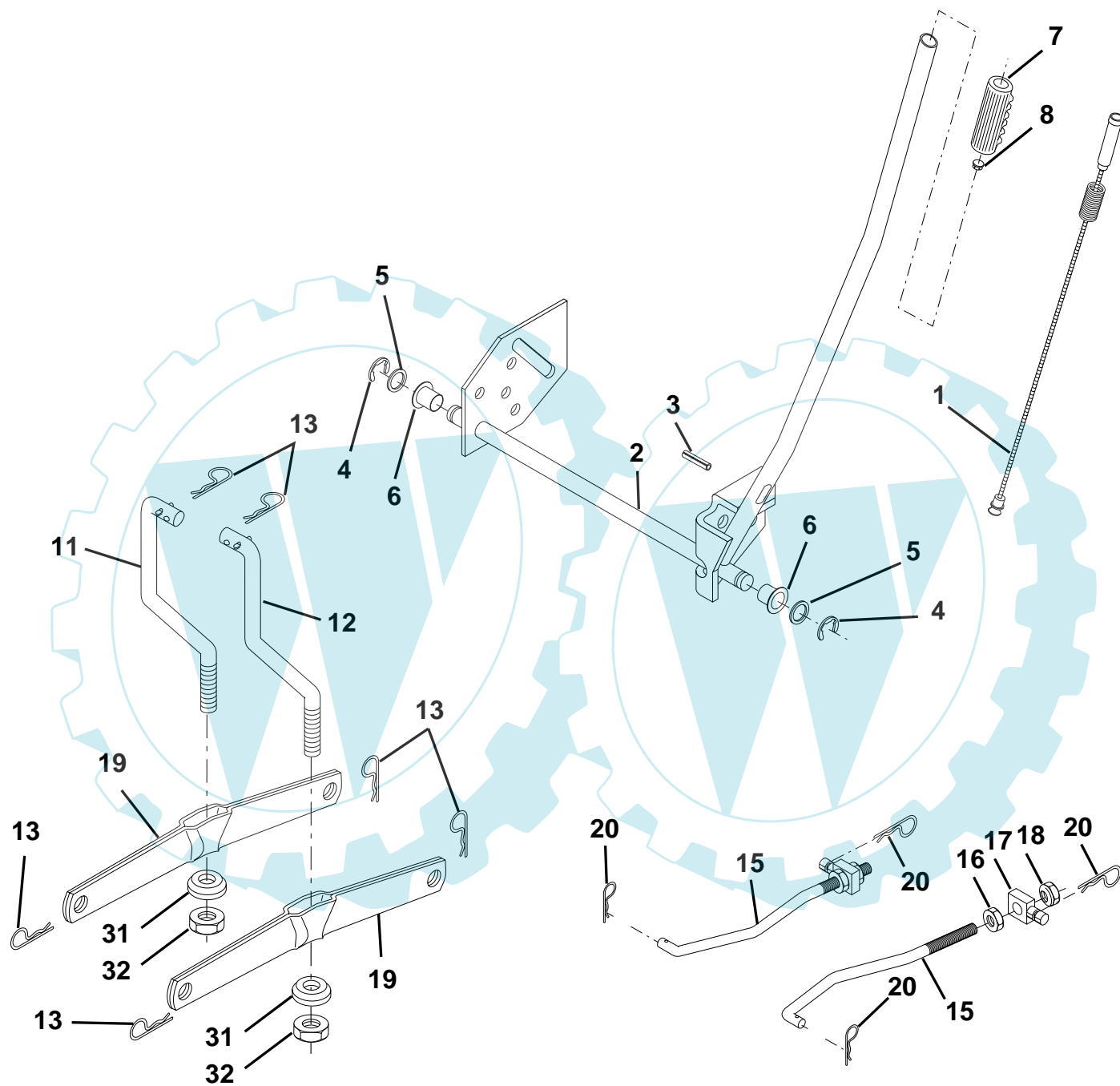


KEY NO.	PART NO.	DESCRIPTION
1	532 05 91-92	Cap Valve Tire
2	532 06 51-39	Stem Valve
3	532 10 62-22	Tire F Ts 15 X 6 0 - 6 Service
4	532 05 99-04	Tube Front (Service Item Only)
5	532 12 51-21	Rim Asm 6" front Yellow Service
6	532 12 49-57	Fitting Grease (Front Wheel Only)
7	532 12 49-59	Bearing Flange (Front Wheel Only)
8	532 12 51-22	Rim Asm 8" rear Yellow Service
9	532 10 62-68	Tire R Ts 18 x 9.5-8 C. Service
10	532 12 49-26	Tube Rear (Service Item Only)
11	532 17 50-39	Cap Axle Blk 1 50 X 1 00

**NOTE:** All component dimensions given in U.S. inches  
1 inch = 25.4 mm

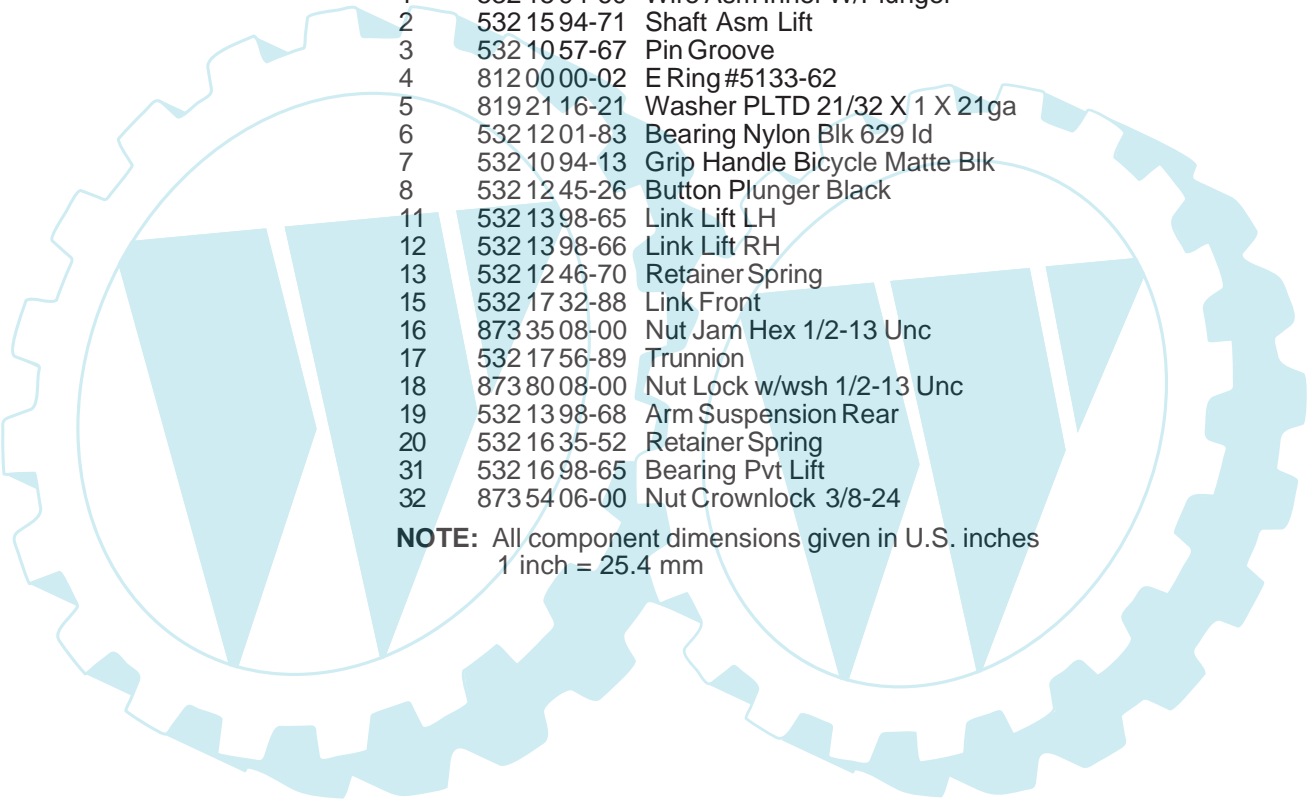
# REPAIR PARTS

TRACTOR - - MODEL NUMBER 12-107 (P12S105E), PRODUCT NO. 964 77 26-00  
MOWER LIFT



## REPAIR PARTS

TRACTOR - - MODEL NUMBER 12-107 (P12S105E), PRODUCT NO. 964 77 26-00  
MOWER LIFT

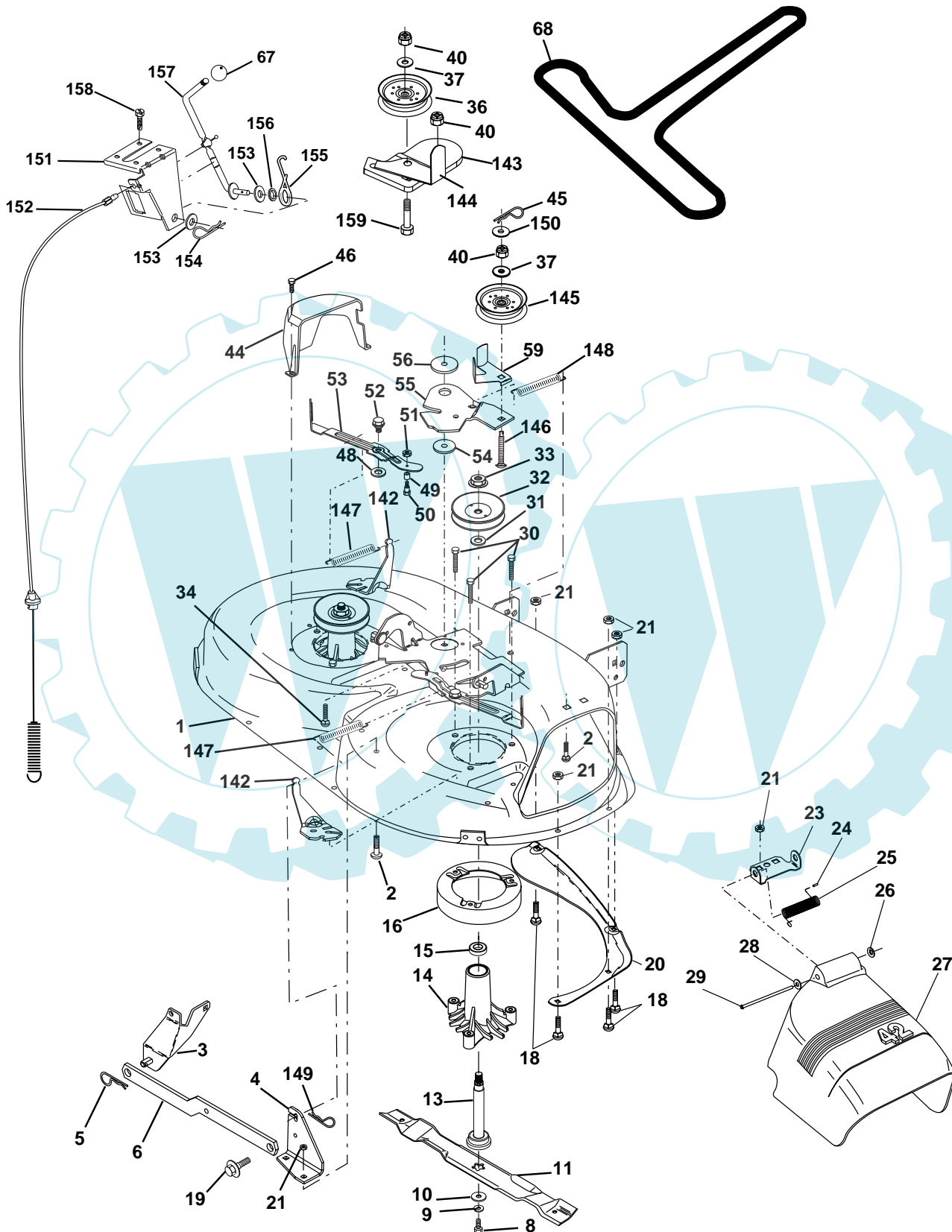


KEY NO.	PART NO.	DESCRIPTION
1	532 1594-60	Wire Asm Inner W/Plunger
2	532 1594-71	Shaft Asm Lift
3	532 1057-67	Pin Groove
4	812 0000-02	E Ring #5133-62
5	819 21 16-21	Washer PLTD 21/32 X 1 X 21ga
6	532 1201-83	Bearing Nylon Blk 629 Id
7	532 1094-13	Grip Handle Bicycle Matte Blk
8	532 1245-26	Button Plunger Black
11	532 1398-65	Link Lift LH
12	532 1398-66	Link Lift RH
13	532 1246-70	Retainer Spring
15	532 1732-88	Link Front
16	873 3508-00	Nut Jam Hex 1/2-13 Unc
17	532 1756-89	Trunnion
18	873 8008-00	Nut Lock w/wsh 1/2-13 Unc
19	532 1398-68	Arm Suspension Rear
20	532 1635-52	Retainer Spring
31	532 1698-65	Bearing Pvt Lift
32	873 5406-00	Nut Crownlock 3/8-24

**NOTE:** All component dimensions given in U.S. inches  
1 inch = 25.4 mm

# REPAIR PARTS

TRACTOR - - MODEL NUMBER 12-107 (P12S105E), PRODUCT NO. 964 77 26-00  
MOWER DECK





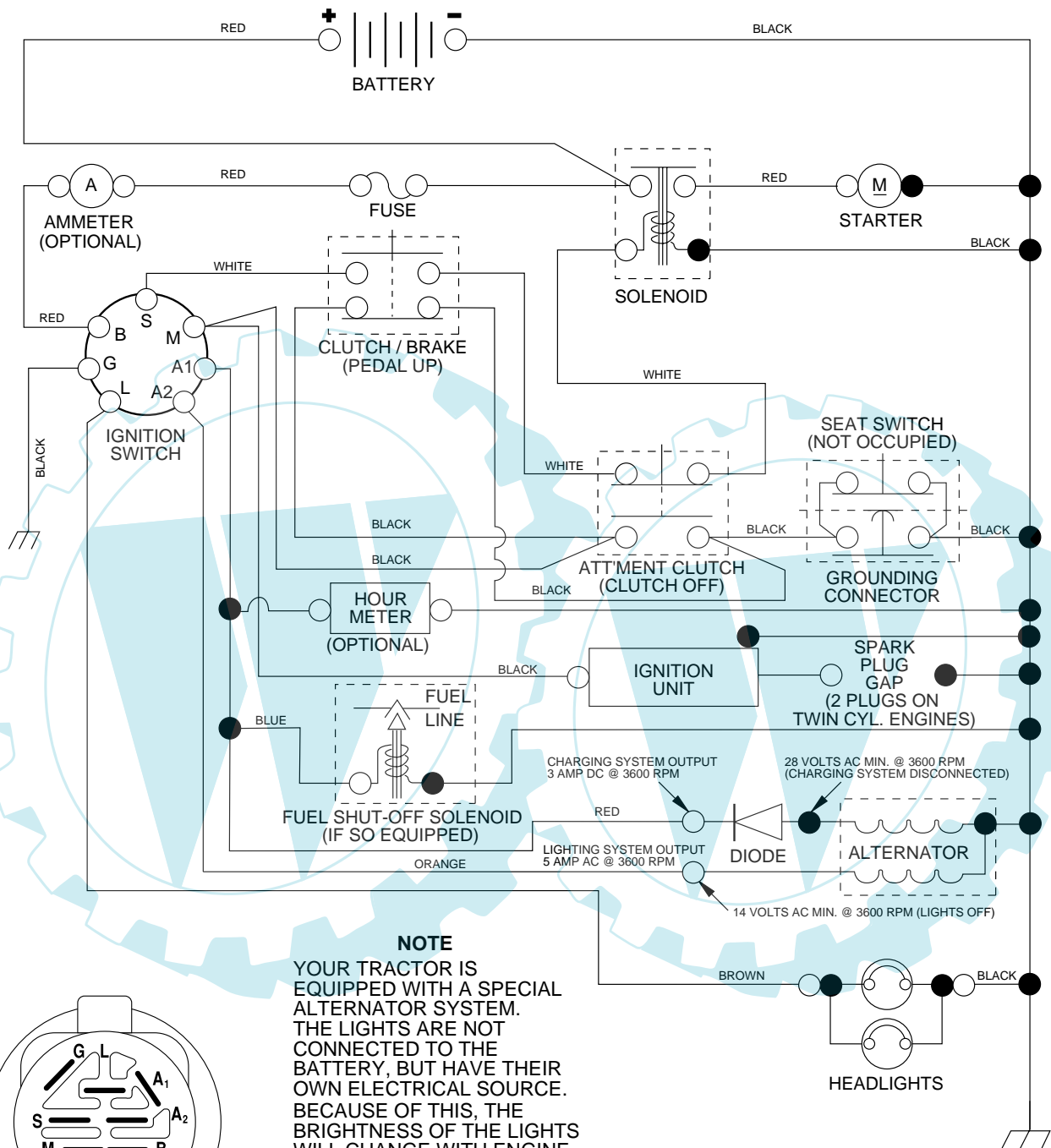
# REPAIR PARTS

TRACTOR - - MODEL NUMBER 12-107 (P12S105E), PRODUCT NO. 964 77 26-00  
MOWER DECK

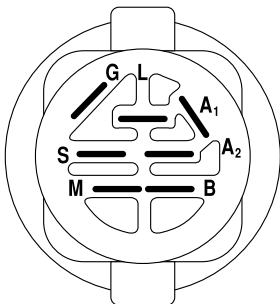
KEY NO.	PART NO.	DESCRIPTION	KEY NO.	PART NO.	DESCRIPTION
1	532 16 58-92	Housing Asm Mower 42" T-Path	49	532 17 42-84	Roller Asm Cam Follower 42" dec
2	872 14 05-06	Bolt Rdhd Sqnk 5/16-18unc X3/4	50	532 13 13-40	Bolt Shldr 10-24 Zinc Gr 5 42"
3	532 13 80-17	Bracket Asm Fr Sway Bar 38/42	51	532 06 91-80	Nut Lock #10-24 Unc
4	532 16 54-60	Bracket Asm Deck 42" sway Bar	52	532 13 98-88	Bolt Shoulder 5/16-18 Unc Blkz
5	532 12 46-70	Retainer Spring	53	532 13 18-45	Arm Asm Pad Brake
6	532 17 80-24	Bar Sway Deck	54	532 13 39-43	Washer Hardened
8	532 85 08-57	Bolt 3/8 - 24 X 1.25 Gr 8	55	532 15 50-46	Arm Idler 42" mower LT/YT
9	810 03 06-00	Washer Lock Hvy 3/8 Unplated	56	532 16 57-23	Spacer Retainer Pm Mower
10	532 14 02-96	Washer Hard Blade Mower	59	532 14 10-43	Guard TUV Idler
11	532 13 84-98	Blade Mower High Lift	67	532 10 69-32	Knob Rd 3/8-16 Plstc Thds Blk
13	532 13 76-45	Shaft Asm W/Lower Bearing	68	<b>532 18 02-15</b>	V-Belt Mower
14	532 12 87-74	Housing Mandrel Vented (Machd)	142	532 16 58-90	Arm Spring Brake Mower
15	532 11 04-85	Bearing Ball Mandrel	143	532 15 71-09	Bracket Arm Idler 42"
16	532 17 44-93	Stripper Round Mower	144	532 15 86-34	Keeper Belt 42" Clutch Cable
18	872 14 05-05	Bolt Carr 5/16-18 X 5/8	145	532 16 58-88	Pulley Idler Flat
19	532 13 28-27	Bolt Shoulder	146	532 17 19-77	Bolt Carriage Idler
20	532 15 97-70	Baffle Vortex 42"	147	<b>532 17 97-48</b>	Spring Extension
21	873 68 05-00	Nut Crown Lock 5/16-18	148	532 16 90-22	Spring Return Idler
23	<b>532 17 75-63</b>	Bracket Deflector Mower 42"	149	532 16 58-98	Retainer Spring Yellow
24	532 10 53-04	Cap Sleeve 80x 112 Blk Mower	150	819 09 12-16	Washer 9/32 x 3/4 x 16 Ga.
25	532 12 37-13	Spring Torsion Deflector 2 52	151	532 16 96-70	Bracket Clutch Cable
26	532 11 04-52	Nut Push Phos & Oil	152	<b>532 18 15-55</b>	Clutch Cable 42"
27	532 17 18-59	Shield Deflector Mower 42"	153	532 16 96-74	Washer Flat 3/8" Type B
28	819 11 10-16	Washer 11/32 X 5/8 X 16 Ga.	154	532 16 96-75	Spring Retainer
29	532 13 14-91	Rod Hinge 42" 6 75 Wlg	155	532 16 96-71	Spring Retention Lvr Cltch Cab
30	532 17 39-84	Screw Thdrol	156	532 16 96-72	Spacer Clutch Cable
31	532 12 99-63	Washer Spacer Mower Vented	157	532 16 96-69	Rod Clutch Cable 3/8"
32	532 15 35-35	Pulley Mandrel 42/44/50	158	817 72 04-08	Screw Hex Thd Cut 1/4-20 x 1/2
33	532 17 83-42	Nut Top Lock Flng	159	872 14 06-14	Bolt Rdhd Sqnk 3/8-16 UNC x 1-3/4
34	872 11 06-14	Bolt Rdhd 3/8-16unc X 1-3/4 Gr5	--	<b>532 18 19-25</b>	Replacement Mower, Complete
36	532 13 14-94	Pulley Idler Flat 3 060	--	532 13 07-94	Mandrel Asm. (Includes Housing, Shaft and Shaft Hardware Only - Pulley Not Included)
37	819 13 13-16	Washer 13/32 X 13/16 X 16			
40	873 68 06-00	Nut, Crownlock 3/8-16 UNC			
44	532 14 00-88	Guard Mandrel LH Black			
45	532 12 47-88	Spring Retainer 1" Zinc/cad			
46	532 13 77-29	Screw Hex Thd Cut 1/4-20x5/8 T			
48	532 13 39-44	Washer Hardened Smaller			

**NOTE:** All component dimensions given in U.S. inches  
1 inch = 25.4 mm

**TRACTOR - - MODEL NUMBER 12-107 (P12S105E), PRODUCT NO. 964 77 26-00  
SCHEMATIC**



**NOTE**  
YOUR TRACTOR IS EQUIPPED WITH A SPECIAL ALTERNATOR SYSTEM. THE LIGHTS ARE NOT CONNECTED TO THE BATTERY, BUT HAVE THEIR OWN ELECTRICAL SOURCE. BECAUSE OF THIS, THE BRIGHTNESS OF THE LIGHTS WILL CHANGE WITH ENGINE SPEED. AT IDLE THE LIGHTS WILL DIM. AS THE ENGINE IS SPEEDED UP, THE LIGHTS WILL BECOME THEIR BRIGHTEST.



**IGNITION SWITCH**

POSITION	CIRCUIT	"MAKE"
OFF	M+G+A1	NONE
RUN/LIGHT	B+A1	A2+L
RUN	B+A1	NONE
START	B + S + A1	NONE

**WIRING INSULATED CLIPS**

**NOTE:** IF WIRING INSULATED CLIPS WERE REMOVED FOR SERVICING OF UNIT, THEY SHOULD BE REPLACED TO PROPERLY SECURE YOUR WIRING.

NON-REMOVABLE CONNECTIONS

REMOVABLE CONNECTIONS